



INSTRUCTIONS ***for building your very own model brewery!***

Step 1: PRINT THIS PDF AND CUT OUT THE PARTS

Step 2: RUMMAGE THROUGH DAD'S CLOSET FOR AN OLD SHOEBOX
HELPFUL TIP: Don't get caught!

Step 3: PASTE THE BRICK WALL TO THE INSIDE OF THE SHOEBOX
TRICKS OF THE TRADE: Use red-orange crayons or watercolors to make the brick wall more realistic!

Step 4: POSITION THE BREWING EQUIPMENT IN PLACE
HELPFUL TIP: Use paste to secure the equipment to the "floor" of the brewery

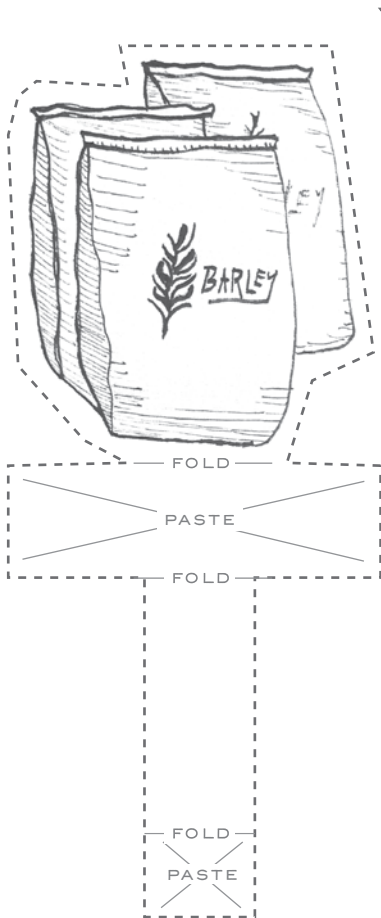
Step 5: LEARN & ENJOY!



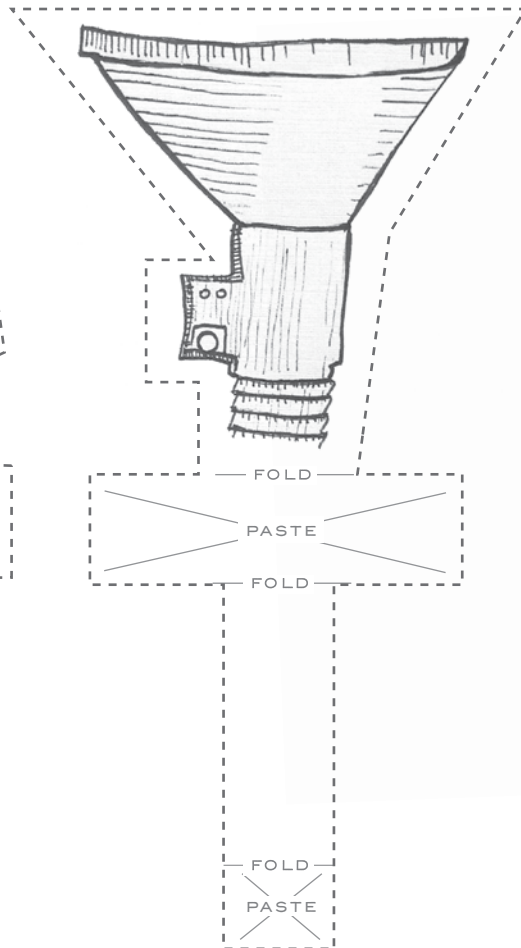
Brewing equipment (1 of 2)

FUTURE
BREWERS OF AMERICA®

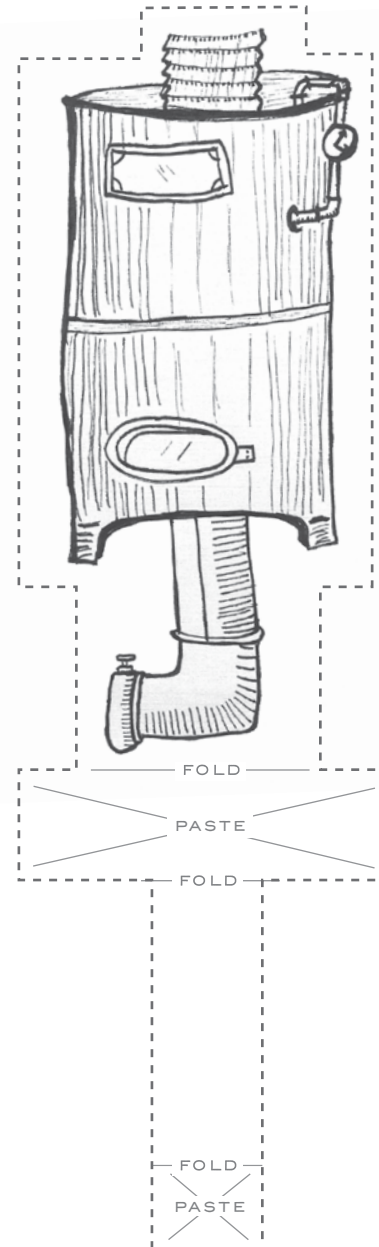
GRAIN OR "MALT"



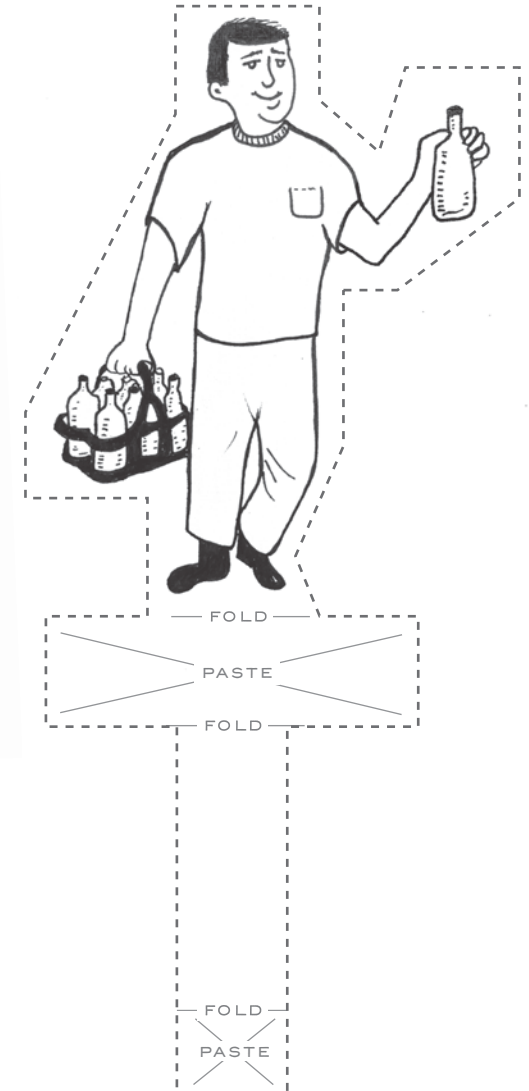
GRAIN MILL



MASH TUN

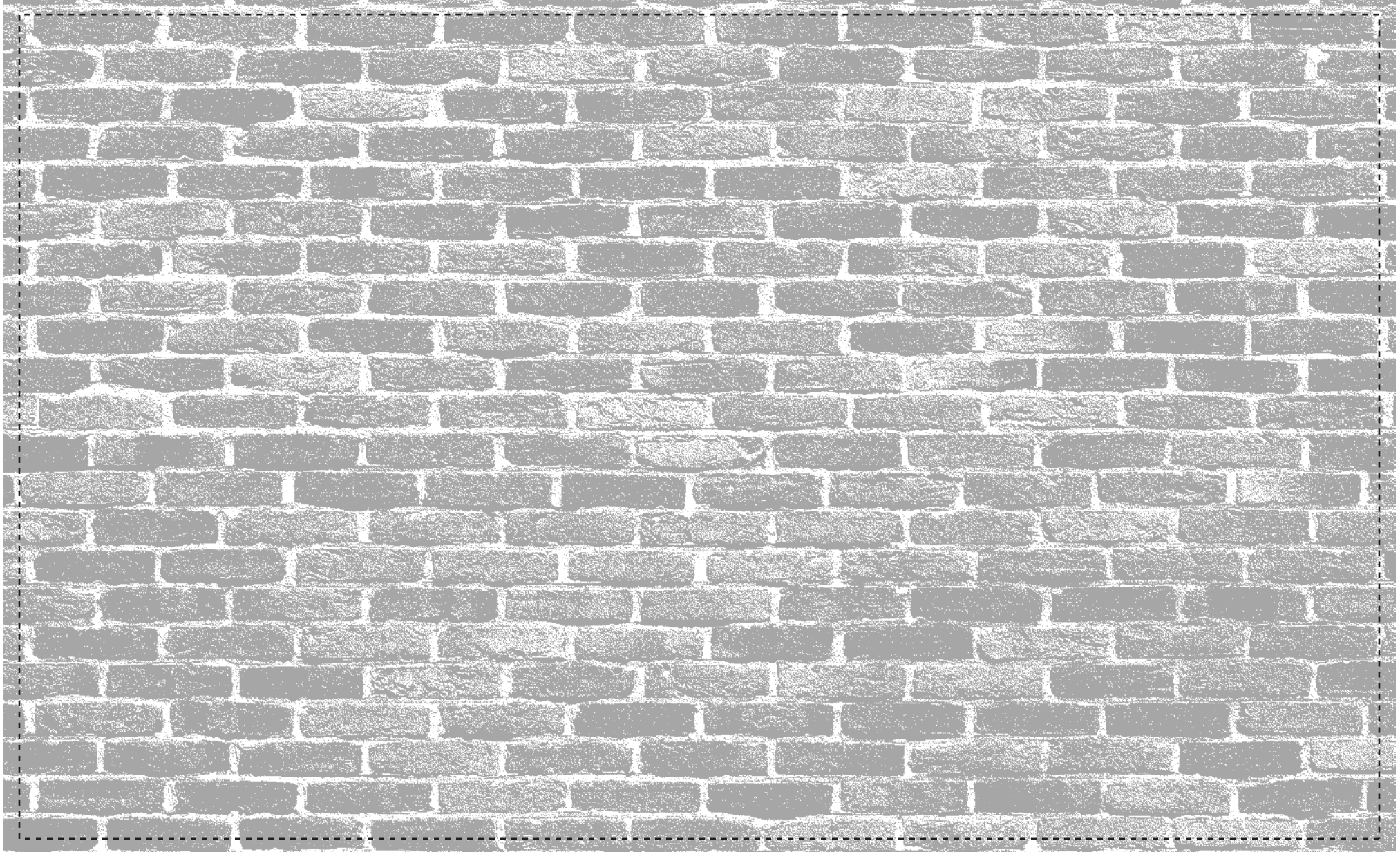


GROWNUP



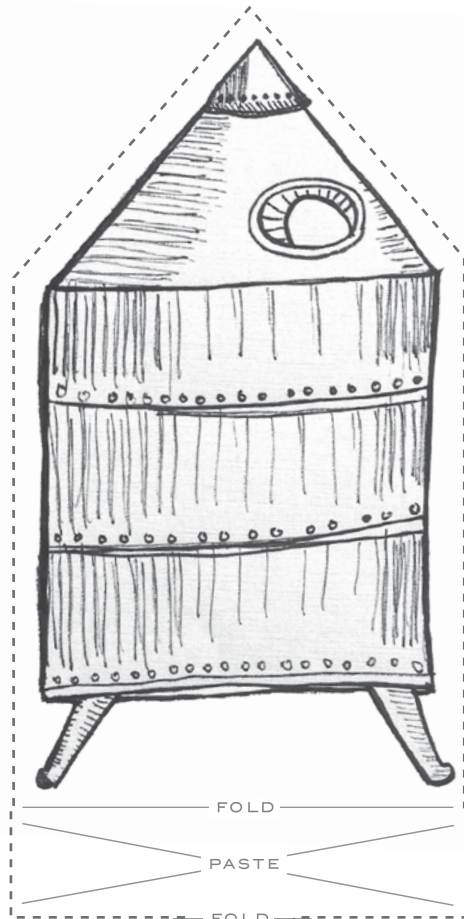
Brick wall

FUTURE
BREWERS OF AMERICA®

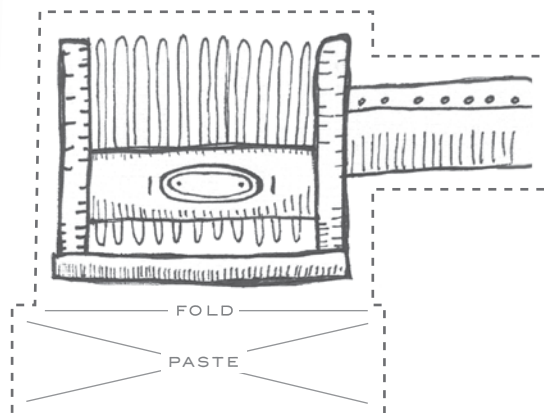


Brewing equipment (2 of 2)

KETTLE



CHILLER



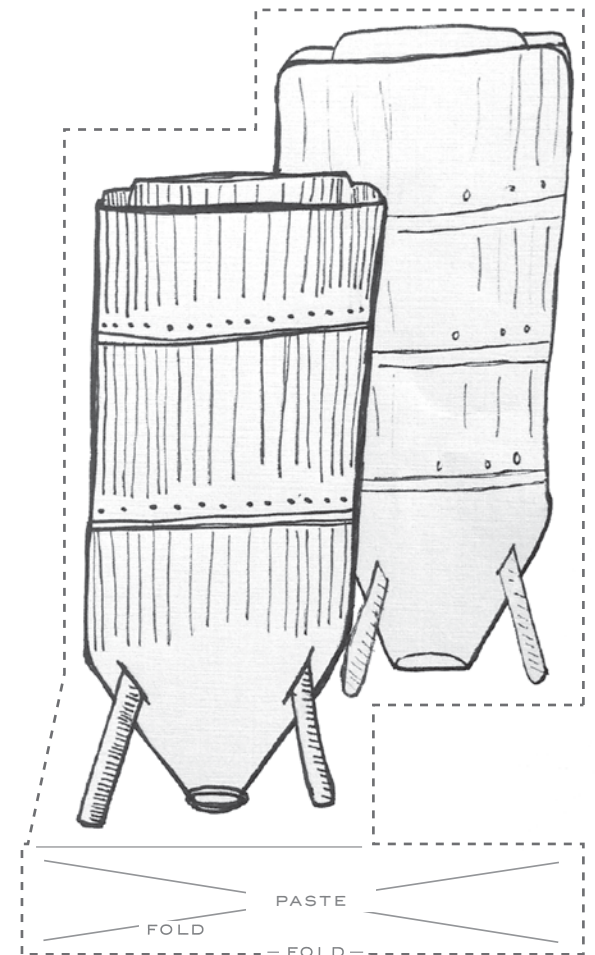
FBA INSIGNIA



OFFICIAL FBA LOGOTYPE

FUTURE
BREWERS OF AMERICA®

FERMENTATION TANKS



FOLD
PASTE

FOLD
PASTE